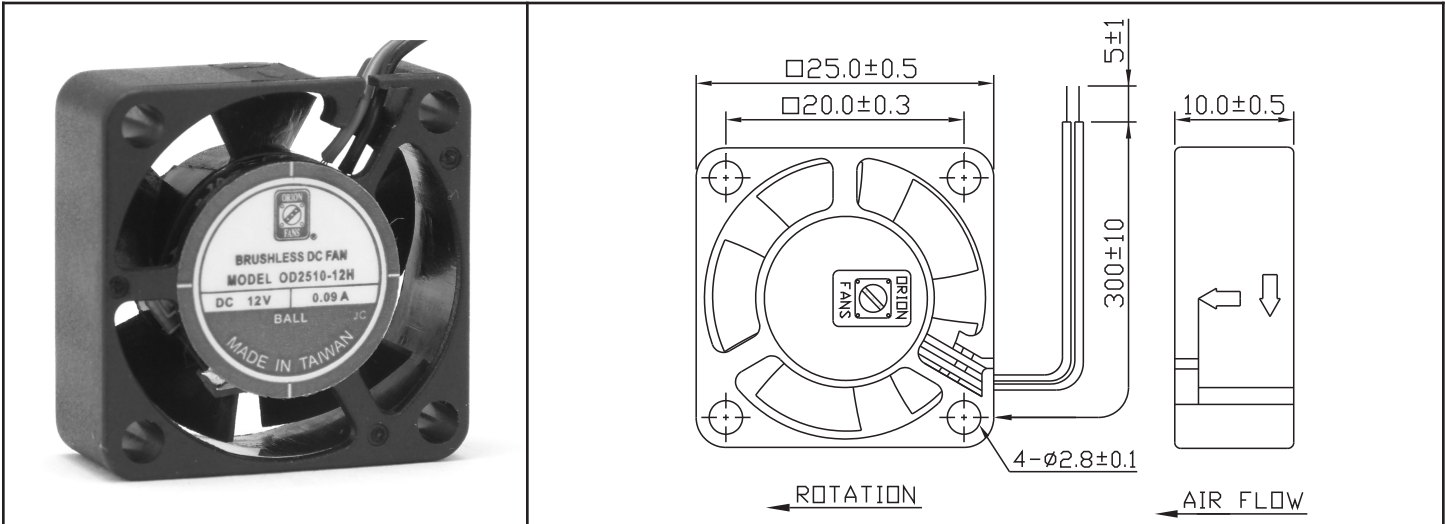


OD2510 Series



DC Fan - 5, 12V
25 x 10mm (1.0" x 0.39")



Frame & Impeller	PBT, UL94V-0 plastic	Available Options: Tachometer Alarm <u>Life Expectancy (L10)</u> Ball - 60,000 hrs (45C) Sleeve - 30,000 hrs (45C) <u>Operating Temperature</u> Ball: -20C ~ +75C Sleeve: -10C ~ 50C Weight: ~ 0.02 lbs	
Connection	2x Lead wires 28AWG		
Motor	Brushless DC, auto restart, impedance and polarity protected		
Bearing System	Ball bearing or Sleeve		
Insulation Resistance	10M ohm between leadwire and frame (500VDC)		
Dielectric Strength	1 minute at 500 VAC, max leakage < 500 MicroAmp		
Storage Temperature	-40C ~ +80C		

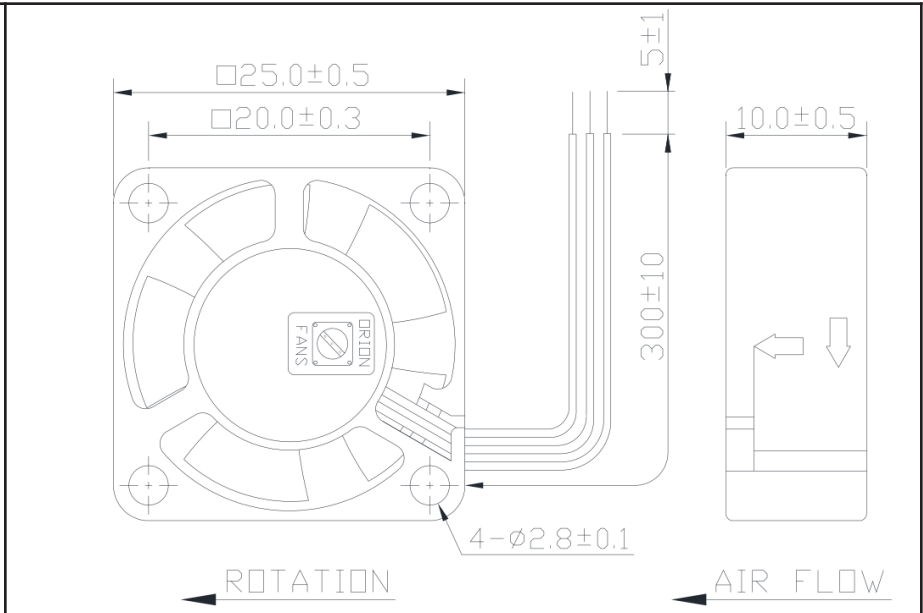
Model Number	Speed (RPM)	Airflow (CFM)	Noise (dB)	Volts DC	Voltage Range (VDC)	Amps	Max. Static Pressure ("H ₂ O)
OD2510-05H *	12000	2.7	31	5	4.0 ~ 5.5	0.14	0.23
OD2510-05M *	10000	2.2	24	5	4.0 ~ 5.5	0.12	0.17
OD2510-05L *	8000	1.8	18	5	4.0 ~ 5.5	0.10	0.12
OD2510-12H *	12000	2.7	31	12	6.0 ~ 16	0.09	0.23
OD2510-12M *	10000	2.2	24	12	6.0 ~ 16	0.08	0.17
OD2510-12L *	8000	1.8	16	12	6.0 ~ 16	0.04	0.12
OD2510-12LL *	7000	1.45	15	12	9.0 ~ 13.2	0.07	0.07

* Indicate "B" for ball bearing or "S" for sleeve bearing

OD2510-12MB02A



DC Fan, 12VDC
25x10mm (1x.39in)

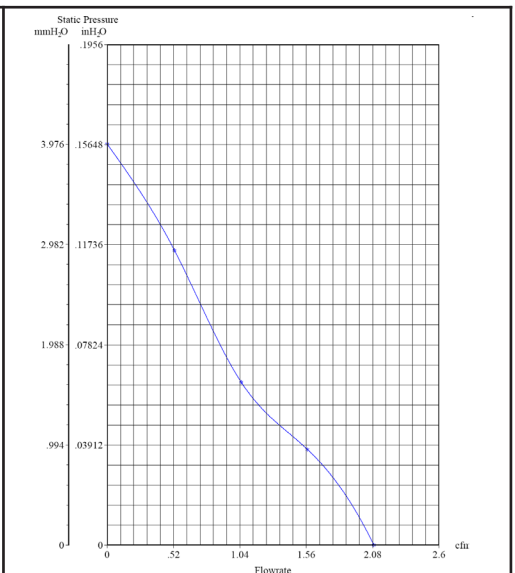


Frame & Impeller	PBT, UL94V-0 plastic
Connection	3x Lead wires *
Motor	Brushless DC, auto restart, polarity protected.
Bearing System	Dual ball bearing
Insulation Resistance	Min. 10M at 500VDC
Dielectric Strength	1 second at 500VAC max leakage 500 microamp
Temperature Range	-10C ~ +70C
Storage Temperature	-40C ~ +80C
Life (L10)	70,000 hours (40C)

Available Options
 IP55
 Other speeds and voltages
 Tachometer
 PWM

*Connection:
 Wire Leads - UL1007
 28AWG Red(+), Black (-), Yellow Alarm

Weight: 8 g



Model Number	OD2510-12MB02A
Part Number	125131231
Nominal Voltage	12 VDC
Voltage Range	9~13.2 VDC
Nominal Current	.035 A
Rated Power	1.44 Watts
Rated Speed (RPM)	10000
Airflow (CFM)	2.1
Noise Level (dB)	24
Max. Static Pressure	.16 "H ₂ O

Output of locked signal
 *Output type.....Open collector type
 *Electrical design suggestion:
 (External signal function design is decided by customer)

*Transistor Q1 at "ON" position
 Collector current.....I_c=5mA Max
 Saturation Voltage.....V_{ce}=1.0V Max
 (Between Collector and Emitter at I_c=5mA)
 *Transistor Q1 at "OFF" position
 Release Voltage.....V_{ce}=15V Max

*Output waveform



RoHS Compliant



Orion Fans
 Information and data is subject to
 change without prior notification.